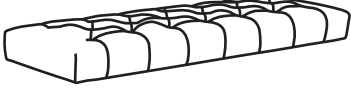



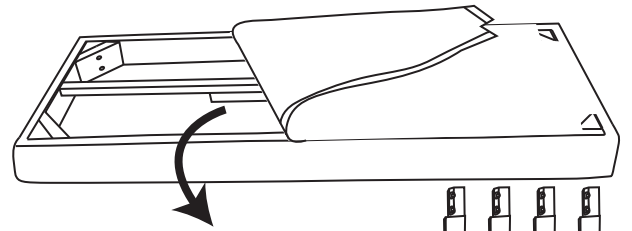
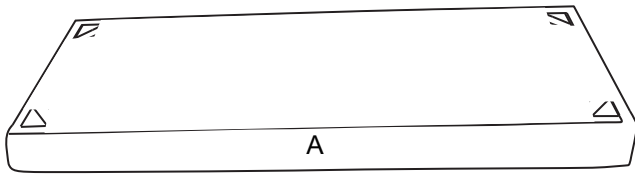
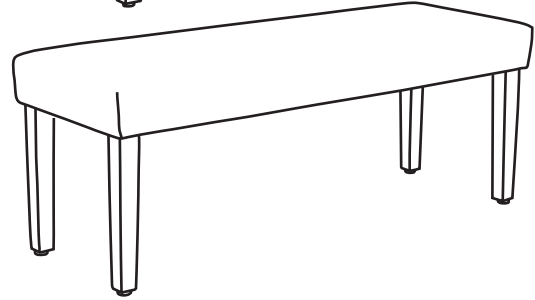
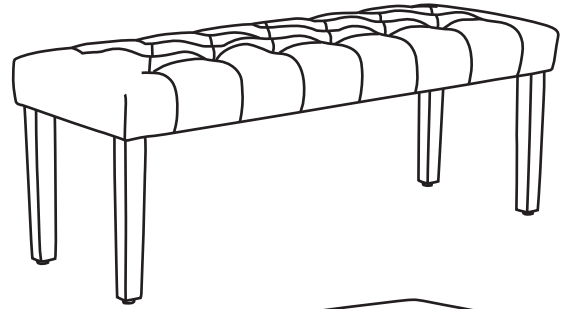


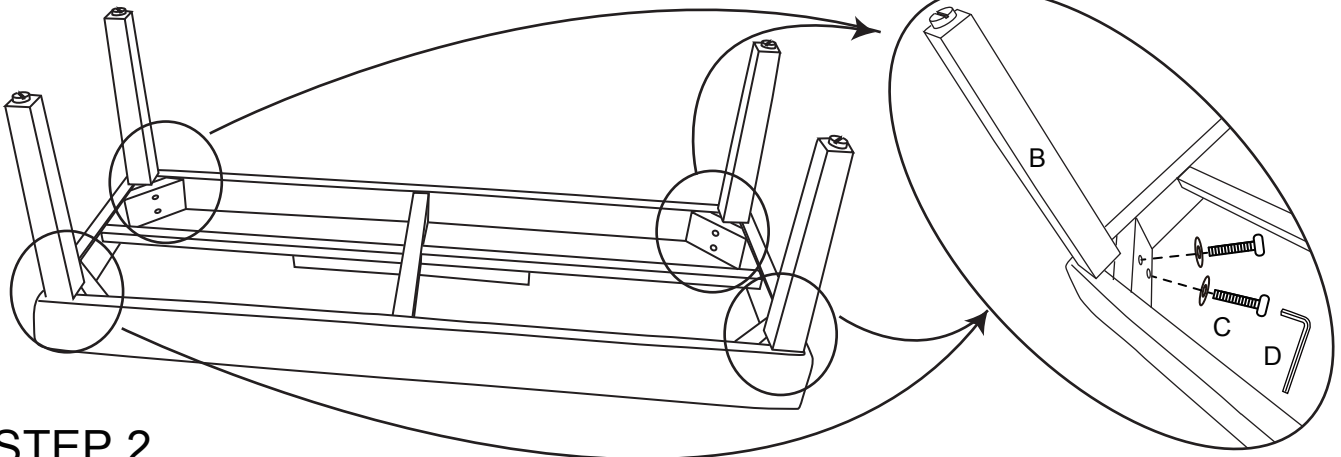
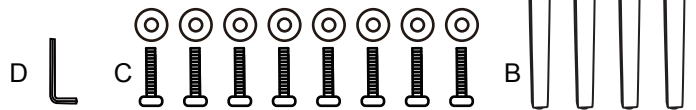
ASSEMBLY INSTRUCTIONS

ITEM# B100DW-SG

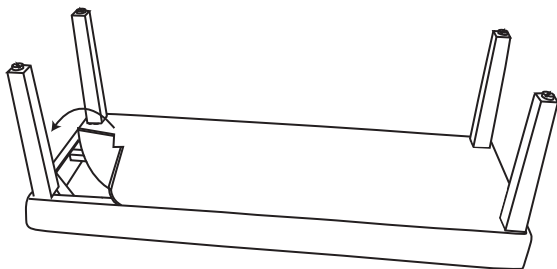
PARTS LIST		
NO.		Q'ty
A		1
B		4
C	 M6*65	8
D		1



STEP 1

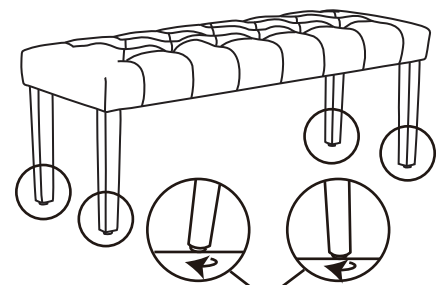


STEP 2



STEP 3

FINISH



Adjust Pre-installed Levelers height to achieve balance